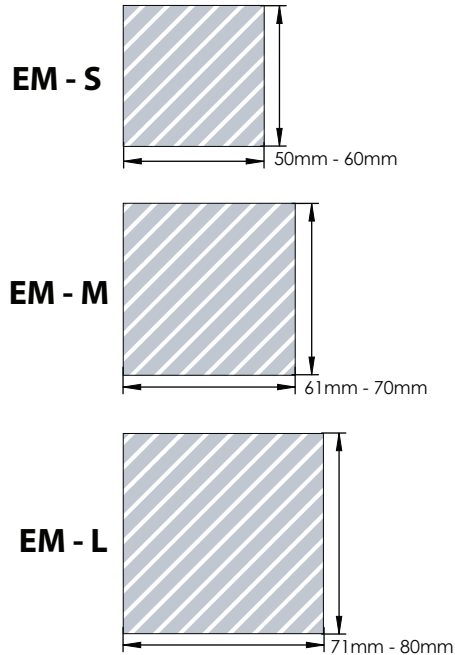
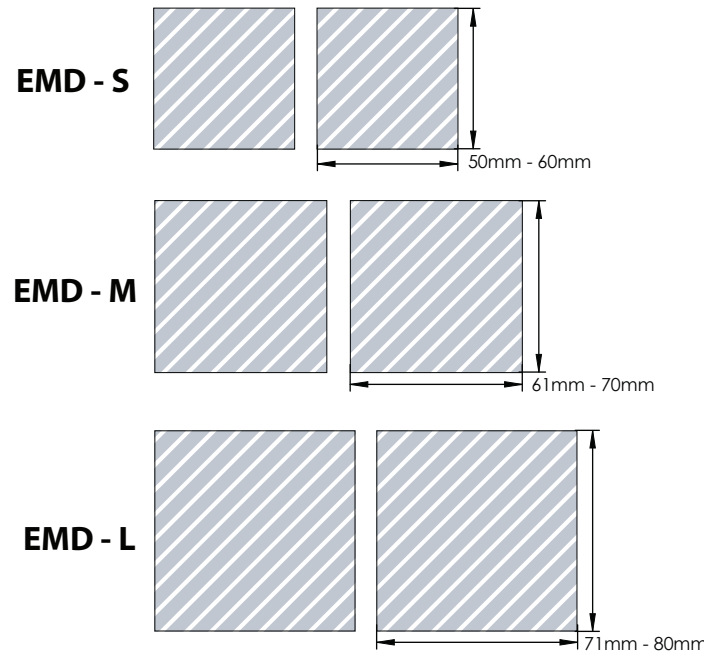


The following print guide has been prepared for your graphic designer, however should you not have a graphic designer, Flashbay is happy to lay out your artwork and/or text which you can email to your Flashbay account manager. Having submitted your artwork to Flashbay, you will receive a virtual PDF for your review. We can make modifications thereafter as requested.

Hard/Soft Enamel Paint



Double-sided branding available



Example



Minimum size requirement

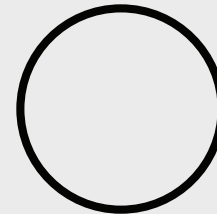
Inside outline
(minimum 0.2mm)



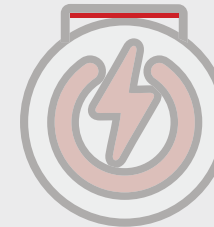
Colour
(minimum 0.3mm)



Outside outline
(minimum 0.5mm)



Bracket clearance
(minimum 26 x 1mm)



Final Result



Maximum branding area available

Printing
specification:

- ▶ CMYK colour mode
- ▶ Vector files preferably
- ▶ 300dpi for rasters