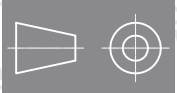
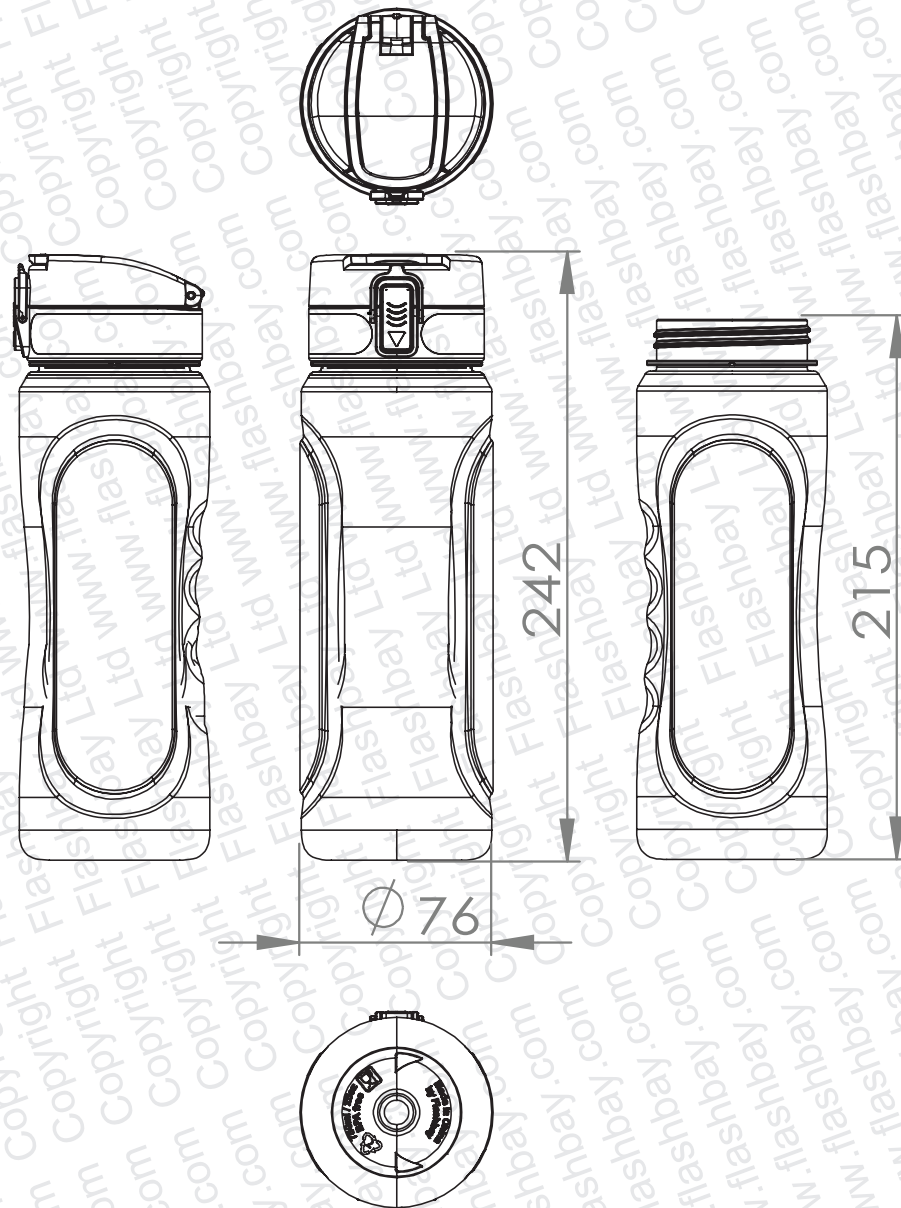
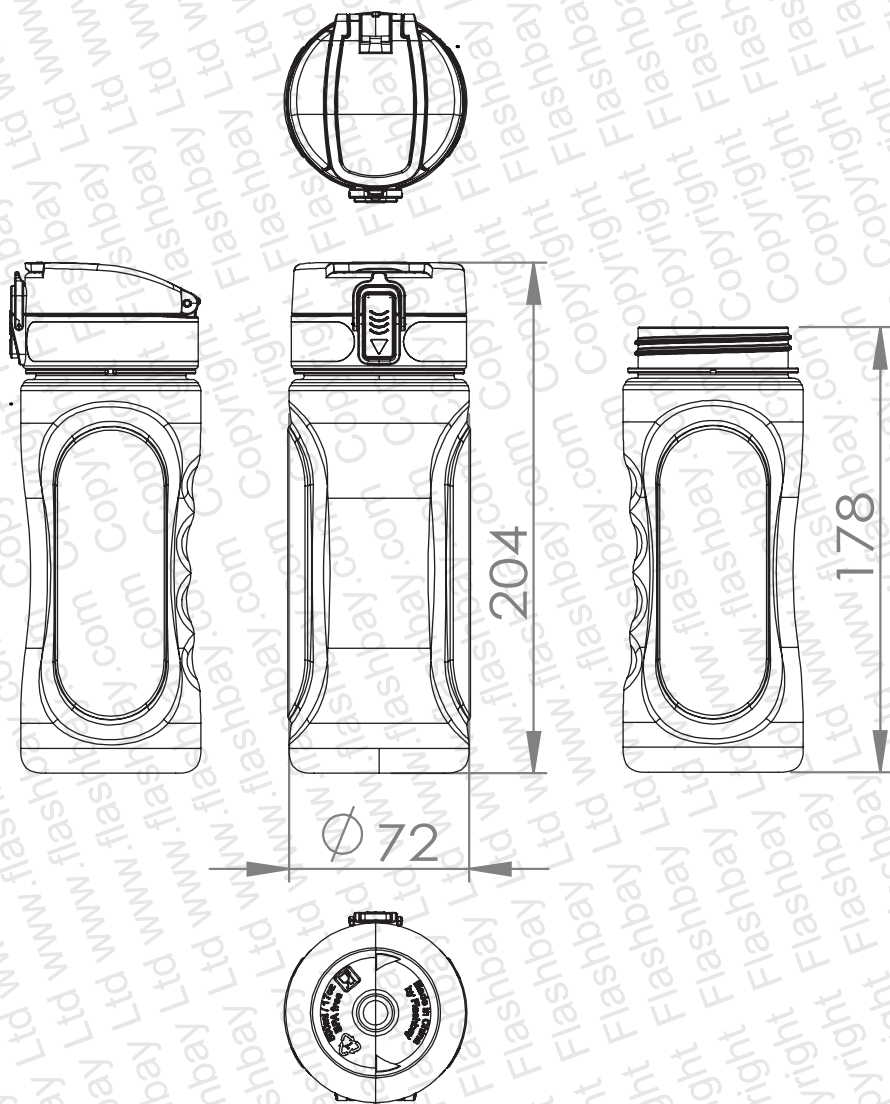


500ml / 17oz 750ml / 25oz



PRODUCT
Pacific

CODE
PF

DIMENSIONS
mm

SCALE
1:3