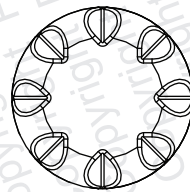
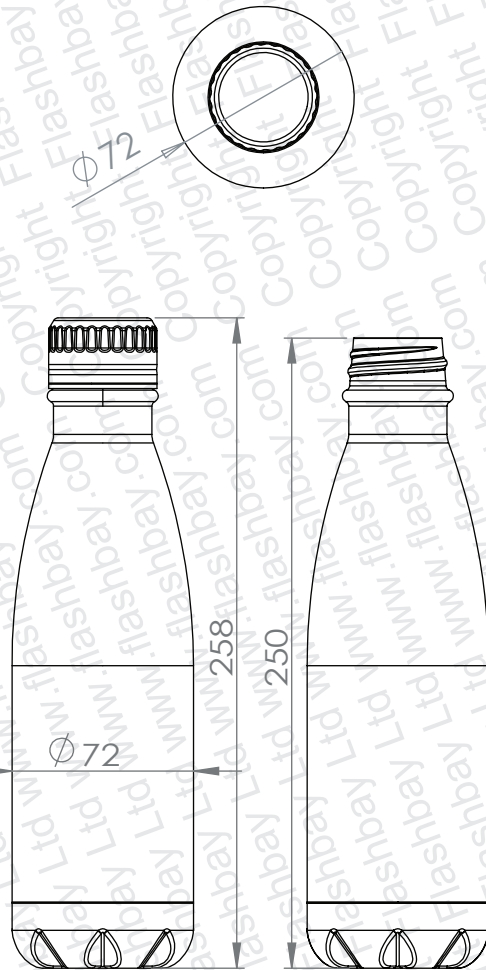
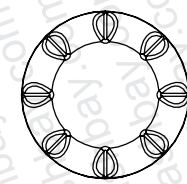
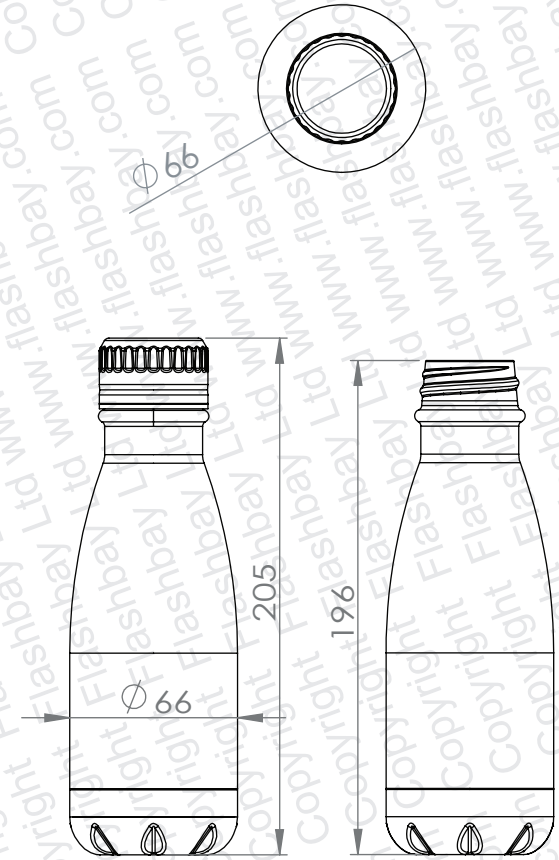


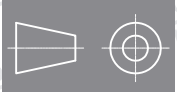
**750ml / 25oz**



**500ml / 17oz**



**260ml / 9oz**



**PRODUCT**  
Nova Pure

**CODE**  
NVP

**DIMENSIONS**  
mm

**SCALE**  
1:3