

Flashbay Electronics
Building2, Jixun Industrial Park, Xinjiao, Dong'ao
Village, Shatian Town, Huiyang District, Huizhou
City, Guangdong Province, P.R.China

**DEKRA Testing and Certification
(Shanghai) Ltd., Guangzhou Branch**
Block 5, No.3, Qiyun Road, Huangpu
District, Guangzhou, Guangdong, China
Tel.: +86 20 6661 2000
Fax: +86 20 6661 2001

Contact
Devin Ai
Tel.: +86 20 6684 3294
E-Mail: devin.ai@dekra.com
Page 1 of 13

TEST REPORT

Test Report No. : **4380813.58** Version 2 (Supersedes version 1)

Project No. : **4380813.00**

Test Report Date : **2022-10-13**

Job No. : 21-01850

Applicant : Flashbay Electronics
Building2, Jixun Industrial Park, Xinjiao, Dong'ao Village, Shatian
Town, Huiyang District, Huizhou City, Guangdong Province, P.R.China

Product Name : USB Flash Drives

Model No. : Focus/FC

Reference Information : Annex 1 (List was provided by applicant)

Test Requested : Selected test(s) as requested by applicant, SVHC assessment is
performed according to:

- Two hundred and twenty-four (224) substances in the Candidate
List of Substances of Very High Concern(SVHC) for authorization
published by European Chemicals Agency(ECHA) on and before
June 2022 regarding Regulation (EC) No. 1907/2006 concerning the
Registration, Evaluation, Authorisation and Restriction of
Chemicals (REACH).

Test Method : Please refer to next pages


Sample Received : 2021-09-17,2022-09-14, 2022-10-08

Testing Period : 2021-09-17 to 2021-11-08, 2022-09-14 to 2022-10-12

Test Results

- following pages -

Resume:

Parameter	Product Name: USB Flash Drives
	Model No.: Focus/FC
	
Two hundred and twenty-four (224) substances in the Candidate List of SVHC	Less than 0.1% (w/w) in the submitted sample

Guangzhou, October 13, 2022

Signed for and on behalf of

DEKRA Testing and Certification (Shanghai) Ltd., Guangzhou branch

Chemical & Mechanical

Devin Ai 

Devin Ai
Assistant Manager

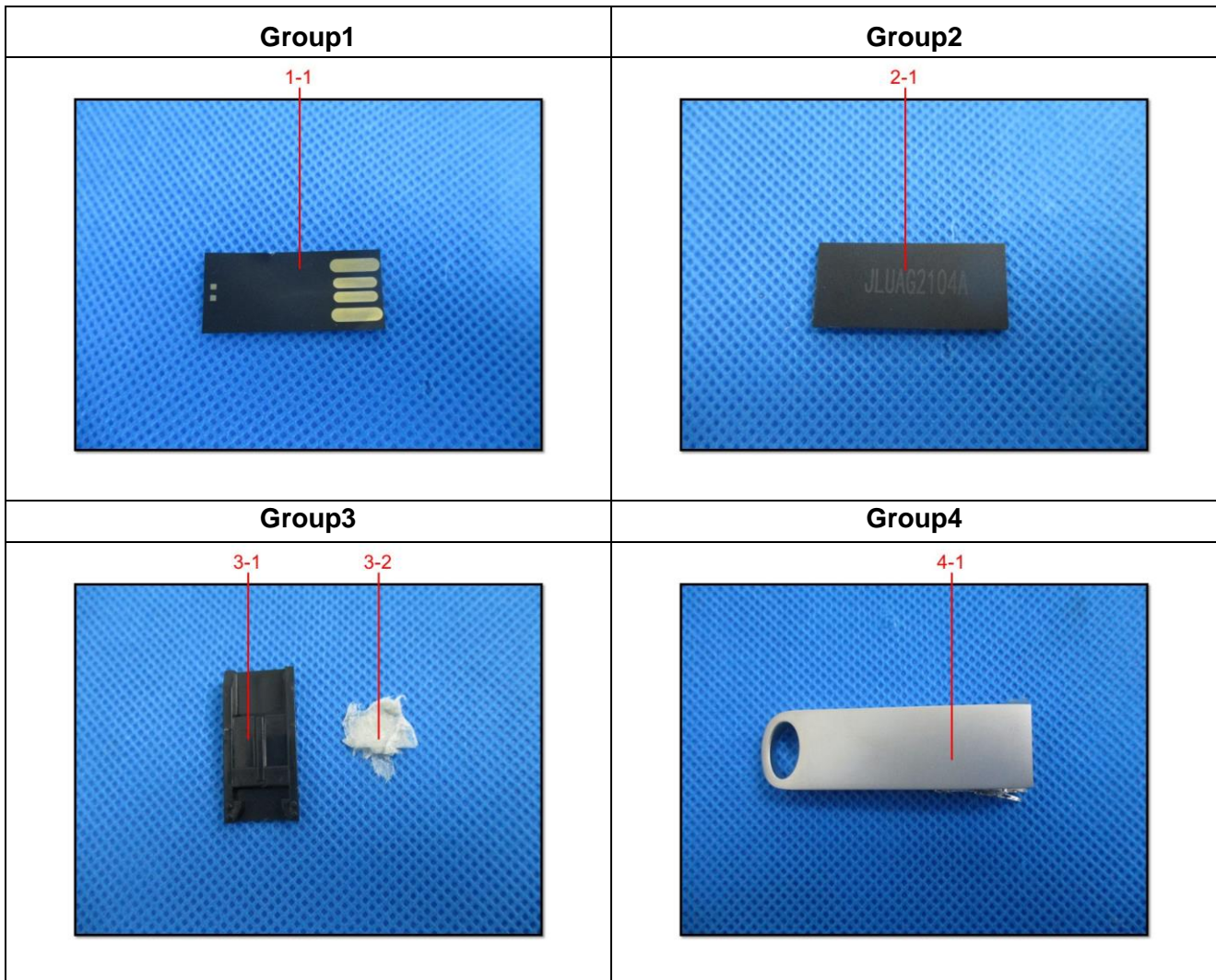
Attention: Please note that every statement made in this report is only valid for the samples tested and reported herein. This report shall not be reproduced except in full, without the written approval of the testing laboratory.

Sample Description:

Group description:	
Group1	Plastic
Group2	Ceramic
Group3	Plastic
Group4	Metal

Note: According to client's specification, each part is same quantity sampling and perform testing.

Test Group Photo:



TEST RESULTS

(I) SVHC testing results:

By Inductively Coupled Plasma Optical Emission Spectrometer (ICP-OES), liquid chromatograph coupled with Inductively Coupled Plasma-Mass Spectrometry (LC-ICP-MS), Gas Chromatography Mass Spectrometer (GC-MS), UV-Visible Spectrophotometric and High Performance Liquid Chromatography analysis.

Chemical Substance	Result [% by Weight]			
	Tested Group(s)			
	(1)	(2)	(3)	(4)
Sodium dichromate Δ	0.006	N.D.	N.D.	N.D.
Acids generated from chromium trioxide and their oligomers: a.Chromic acid Δ b.Dichromic acid Δ c.Oligomers of chromic acid and dichromic acid Δ	0.0160	N.D.	N.D.	N.D.
Strontium chromate Δ	0.008	N.D.	N.D.	N.D.
Dichromium tris(chromate) Δ	0.017	N.D.	N.D.	N.D.
Pentazinc chromate octahydroxide Δ	0.022	N.D.	N.D.	N.D.
Potassium hydroxyoctaoxodizincatedichromate Δ	0.022	N.D.	N.D.	N.D.
Other tested SVHCs in Chemical list	N.D.	N.D.	N.D.	N.D.

Remark:

1. SVHC = Substance of very high concern
2. N.D. = Not detected (less than reporting limit)

(II) Tested SVHC Chemical list:

No.	Substance	CAS No.	Report Limit [%]
(1)	Anthracene	120-12-7	0.005
(2)	4,4'- Diaminodiphenylmethane	101-77-9	0.005
(3)	Dibutyl phthalate (DBP)	84-74-2	0.005
(4)	Cobalt dichloride Δ	7646-79-9	0.005
(5)	Diarsenic pentaoxide Δ	1303-28-2	0.005
(6)	Diarsenic trioxide Δ	1327-53-3	0.005

No.	Substance	CAS No.	Report Limit [%]
(7)	Sodium dichromate Δ	7789-12-0 10588-01-9	0.005
(8)	5-tert-butyl-2,4,6-trinitro-m-xylene (musk xylene)	81-15-2	0.005
(9)	Bis (2-ethyl(hexyl)phthalate) (DEHP)	117-81-7	0.005
(10)	Hexabromocyclododecane (HBCDD) and all major diastereoisomers identified (α -HBCDD, β -HBCDD, γ -HBCDD)	25637-99-4 3194-55-6 (134237-51-7, 134237-50-6, 134237-52-8)	0.005
(11)	Alkanes, C10-13, chloro (Short Chain Chlorinated Paraffins)	85535-84-8	0.005
(12)	Bis(tributyltin)oxide (TBTO) Δ	56-35-9	0.005
(13)	Lead hydrogen arsenate Δ	7784-40-9	0.005
(14)	Benzyl butyl phthalate (BBP)	85-68-7	0.005
(15)	Triethyl arsenate Δ	15606-95-8	0.005
(16)	Anthracene oil	90640-80-5	0.05
(17)	Anthracene oil, anthracene paste, distn. lights	91995-17-4	0.05
(18)	Anthracene oil, anthracene paste, anthracene fraction	91995-15-2	0.05
(19)	Anthracene oil, anthracene-low	90640-82-7	0.05
(20)	Anthracene oil, anthracene paste	90640-81-6	0.05
(21)	Pitch, coal tar, high temp.	65996-93-2	0.05
(22)	Aluminosilicate Refractory Ceramic Fibres Δ	650-017-00-8	0.005
(23)	Zirconia Aluminosilicate, Refractory Ceramic Fibres Δ	650-017-00-8	0.005
(24)	2,4-Dinitrotoluene	121-14-2	0.01
(25)	Diisobutyl phthalate	84-69-5	0.01
(26)	Lead chromate Δ	7758-97-6	0.01
(27)	Lead chromate molybdate sulphate red (C.I. Pigment Red 104) Δ	12656-85-8	0.005
(28)	Lead sulfochromate yellow (C.I. Pigment Yellow 34) Δ	1344-37-2	0.01
(29)	Tris(2-chloroethyl)phosphate(TCEP)	115-96-8	0.01
(30)	Acrylamide	79-06-1	0.01
(31)	Trichloroethylene	79-01-6	0.01
(32)	Boric Acid Δ	10043-35-3 11113-50-1	0.01
(33)	Disodium tetraborate, anhydrous Δ	1303-96-4 1330-43-4 12179-04-3	0.01
(34)	Tetraboron disodium heptaoxide, hydrate Δ	12267-73-1	0.01
(35)	Sodium chromate Δ	7775-11-3	0.01
(36)	Potassium chromate Δ	7789-00-6	0.01
(37)	Ammonium dichromate Δ	7789-09-5	0.01
(38)	Potassium dichromate Δ	7778-50-9	0.01
(39)	Cobalt(II) sulphate Δ	10124-43-3	0.01
(40)	Cobalt(II) dinitrate Δ	10141-05-6	0.01

No.	Substance	CAS No.	Report Limit [%]
(41)	Cobalt(II) carbonate Δ	513-79-1	0.01
(42)	Cobalt(II) diacetate Δ	71-48-7	0.01
(43)	2-Methoxyethanol	109-86-4	0.01
(44)	2-Ethoxyethanol	110-80-5	0.01
(45)	Chromium trioxide Δ	1333-82-0	0.01
(46)	Acids generated from chromium trioxide and their oligomers: a.Chromic acid Δ b.Dichromic acid Δ c.Oligomers of chromic acid and dichromic acid Δ	7738-94-5 13530-68-2	0.01
(47)	2-Ethoxyethyl acetate (2-EEA)	111-15-9	0.01
(48)	Strontium chromate Δ	7789-06-2	0.01
(49)	1,2-Benzenedicarboxylic acid, di-C7-11-branched and linear alkyl esters (DHNUP)	68515-42-4	0.01
(50)	Hydrazine	7803-57-8, 302-01-2	0.01
(51)	1-Methyl-2-pyrrolidone	872-50-4	0.01
(52)	1,2,3-Trichloropropane	96-18-4	0.01
(53)	1,2-Benzenedicarboxylic acid, di-C6-8-branched alkyl esters, C7-rich (DIHP)	71888-89-6	0.01
(54)	1,2-Dichloroethane	107-06-2	0.01
(55)	2,2'-Dichloro-4,4'-methylenedianiline (MOCA)	101-14-4	0.01
(56)	2-Methoxyaniline, o-Anisidine	90-04-0	0.01
(57)	4-(1,1,3,3-Tetramethylbutyl)phenol, (4-tert-Octylphenol)	140-66-9	0.01
(58)	Arsenic acid Δ	7778-39-4	0.01
(59)	Bis(2-methoxyethyl) ether	111-96-6	0.01
(60)	Bis(2-methoxyethyl) phthalate	117-82-8	0.01
(61)	Calcium arsenate Δ	7778-44-1	0.01
(62)	Dichromium tris(chromate) Δ	24613-89-6	0.01
(63)	Formaldehyde, oligomeric reaction products with aniline (technical MDA)	25214-70-4	0.01
(64)	Lead diazide Δ	13424-46-9	0.01
(65)	Lead dipicrate Δ	6477-64-1	0.01
(66)	Lead styphnate Δ	15245-44-0	0.01
(67)	N,N-dimethylacetamide (DMAC)	127-19-5	0.05
(68)	Pentazinc chromate octahydroxide Δ	49663-84-5	0.05
(69)	Phenolphthalein	77-09-8	0.01
(70)	Potassium hydroxyoctaoxodizincatedichromate Δ	11103-86-9	0.01
(71)	Trilead diarsenate Δ	3687-31-8	0.01
(72)	1,2-bis(2-methoxyethoxy)ethane (TEGDME; triglyme)	112-49-2	0.01
(73)	1,2-dimethoxyethane; ethylene glycol dimethyl ether (EGDME)	110-71-4	0.01
(74)	Diboron trioxide Δ	1303-86-2	0.01
(75)	Formamide	75-12-7	0.01
(76)	Lead(II) bis(methanesulfonate) Δ	17570-76-2	0.05
(77)	1,3,5-tris(oxiranylmethyl)-1,3,5-triazine-2,4,6(1H,3H,5H)-trione	2451-62-9	0.01

No.	Substance	CAS No.	Report Limit [%]
	(TGIC)		
(78)	1,3,5-tris[(2S and 2R)-2,3-epoxypropyl]-1,3,5-triazine-2,4,6-(1H,3H,5H)-trione (β -TGIC)	59653-74-6	0.01
(79)	4,4'-bis(dimethylamino)benzophenone (Michler's ketone)	90-94-8	0.01
(80)	N,N,N',N'-tetramethyl-4,4'-methylenedianiline (Michler's base)	101-61-1	0.01
(81)	[4-[[4-anilino-1-naphthyl][4-(dimethylamino)phenyl]methylene]cyclohexa-2,5-dien-1-ylidene]dimethylammonium chloride (C.I. Basic Blue 26) [with \geq 0.1% of Michler's ketone (EC No. 202-027-5) or Michler's base (EC No. 202-959-2)]	2580-56-5	0.01
(82)	[4-[4,4'-bis(dimethylamino) benzhydrylidene]cyclohexa-2,5-dien-1-ylidene]dimethylammonium chloride (C.I. Basic Violet 3) [with \geq 0.1% of Michler's ketone (EC No. 202-027-5) or Michler's base (EC No. 202-959-2)]	548-62-9	0.01
(83)	4,4'-bis(dimethylamino)-4''-(methylamino)trityl alcohol [with \geq 0.1% of Michler's ketone (EC No. 202-027-5) or Michler's base (EC No. 202-959-2)]	561-41-1	0.01
(84)	α,α -Bis[4-(dimethylamino)phenyl]-4 (phenylamino)naphthalene-1-methanol (C.I. Solvent Blue 4) [with \geq 0.1% of Michler's ketone (EC No. 202-027-5) or Michler's base (EC No. 202-959-2)]	6786-83-0	0.01
(85)	Bis(pentabromophenyl) ether (DecaBDE)	1163-19-5	0.01
(86)	N,N-dimethylformamide; dimethyl formamide	68-12-2	0.01
(87)	Methoxy acetic acid	625-45-6	0.01
(88)	Dibutyltin dichloride (DBT) Δ	683-18-1	0.01
(89)	1,2-Diethoxyethane	629-14-1	0.01
(90)	Hexahydro-2-benzofuran-1,3-dione (HHPA), cis-cyclohexane-1,2-dicarboxylic anhydride, trans-cyclohexane-1,2-dicarboxylic anhydride	85-42-7, 13149-00-3, 14166-21-3	0.01
(91)	Hexahydromethylphthalic anhydride, Hexahydro-4-methylphthalic anhydride, Hexahydro-1-methylphthalic anhydride, Hexahydro-3-methylphthalic anhydride	25550-51-0, 19438-60-9, 48122-14-1, 57110-29-9	0.01
(92)	4-Nonylphenol, branched and linear - substances with a linear and/or branched alkyl chain with a carbon number of 9 covalently bound in position 4 to phenol, covering also UVCB- and well-defined substances which include any of the individual isomers or a combination thereof	-	0.01
(93)	Heptacosafuorotetradecanoic acid	376-06-7	0.01
(94)	1,2-Benzenedicarboxylic acid, dipentylester, branched and linear	84777-06-0	0.01
(95)	Henicosafuoroundecanoic acid	2058-94-8	0.01
(96)	N-pentyl-isopentylphthalate (iPnPP)	776297-69-9	0.01
(97)	Pentacosafuorotridecanoic acid	72629-94-8	0.01
(98)	4-(1,1,3,3-tetramethylbutyl)phenol, ethoxylated - covering well-defined substances and UVCB substances, polymers and	-	0.01

No.	Substance	CAS No.	Report Limit [%]
	homologues		
(99)	Tricosafuorododecanoic acid	307-55-1	0.01
(100)	Lead bis(tetrafluoroborate) Δ	13814-96-5	0.01
(101)	Lead tetroxide (orange lead) Δ	1314-41-6	0.01
(102)	Diethyl sulphate	64-67-5	0.01
(103)	Dinoseb	88-85-7	0.01
(104)	Lead Titanium Zirconium Oxide Δ	12626-81-2	0.01
(105)	Acetic acid, lead salt, basic Δ	51404-69-4	0.01
(106)	Furan	110-00-9	0.01
(107)	N-methylacetamide	79-16-3	0.01
(108)	o-Toluidine; 2-Aminotoluene	95-53-4	0.01
(109)	3-ethyl-2-methyl-2-(3-methylbutyl)-1,3-oxazolidine	143860-04-2	0.01
(110)	4,4'-oxydianiline and its salts	101-80-4	0.01
(111)	[Phthalato(2-)]dioxotrilead (Dibasic lead phthalate) Δ	69011-06-9	0.01
(112)	Lead titanium trioxide Δ	12060-00-3	0.01
(113)	Lead oxide sulphate Δ	12036-76-9	0.01
(114)	Lead dinitrate Δ	10099-74-8	0.01
(115)	4-Aminoazobenzene; 4-Phenylazoaniline	60-09-3	0.01
(116)	Lead cyanamidate Δ	20837-86-9	0.01
(117)	Tetralead trioxide sulphate Δ	12202-17-4	0.01
(118)	4-methyl-m-phenylenediamine (2,4-toluene-diamine)	95-80-7	0.01
(119)	Pyrochlore, antimony lead yellow Δ	8012-00-8	0.01
(120)	Trilead bis(carbonate)dihydroxide (basic lead carbonate) Δ	1319-46-6	0.01
(121)	Dimethyl sulphate	77-78-1	0.01
(122)	Dioxobis(stearato)trilead Δ	12578-12-0	0.01
(123)	Silicic acid, barium salt, lead-doped Δ	68784-75-8	0.01
(124)	Biphenyl-4-ylamine	92-67-1	0.01
(125)	Lead oxide (lead monoxide) Δ	1317-36-8	0.01
(126)	Pentalead tetraoxide sulphate Δ	12065-90-6	0.01
(127)	Propylene oxide; 1,2-epoxypropane; methyloxirane	75-56-9	0.01
(128)	Silicic acid, lead salt Δ	11120-22-2	0.01
(129)	Trilead dioxide phosphonate Δ	12141-20-7	0.01
(130)	o-aminoazotoluene	97-56-3	0.01
(131)	1-bromopropane	106-94-5	0.01
(132)	6-methoxy-m-toluidine (p-cresidine)	120-71-8	0.01
(133)	4,4'-methylenedi-o-toluidine	838-88-0	0.01
(134)	Tetraethyllead Δ	78-00-2	0.01
(135)	Sulfurous acid, lead salt, dibasic Δ	62229-08-7	0.01
(136)	Fatty acids, C16-18, lead salts Δ	91031-62-8	0.01
(137)	Diisopentylphthalate	605-50-5	0.01
(138)	Diazene-1,2-dicarboxamide(C,C'-azodi(formamide))	123-77-3	0.01

No.	Substance	CAS No.	Report Limit [%]
(139)	Cadmium	7440-43-9	0.005
(140)	Ammonium pentadecafluorooctanoate (APFO)	3825-26-1	0.01
(141)	Pentadecafluorooctanoic acid (PFOA)	335-67-1	0.01
(142)	Dipentyl phthalate (DPP)	131-18-0	0.005
(143)	4-Nonylphenol, branched and linear, ethoxylated [substances with a linear and/or branched alkyl chain with a carbon number of 9 covalently bound in position 4 to phenol, ethoxylated covering UVCB- and well-defined substances, polymers and homologues, which include any of the individual isomers and/or combinations thereof]	-	0.01
(144)	Cadmium oxide Δ	1306-19-0	0.01
(145)	Cadmium sulphide Δ	1306-23-6	0.01
(146)	Di-n-hexyl phthalate (DnHP)	84-75-3	0.01
(147)	Disodium 3,3'-[[1,1'-biphenyl]-4,4'-diylbis(azo)]bis(4-aminonaphthalene-1-sulphonate) (C.I. Direct Red 28)	573-58-0	0.005
(148)	Disodium 4-amino-3-[[4'-[(2,4-diaminophenyl)azo][1,1'-biphenyl]-4-yl]azo] -5-hydroxy-6-(phenylazo)naphthalene-2,7-disulphonate (C.I. Direct Black 38)	1937-37-7	0.005
(149)	Imidazolidine-2-thione; 2-imidazoline-2-thiol	96-45-7	0.01
(150)	Lead di(acetate) Δ	301-04-2	0.01
(151)	Trixylyl phosphate	25155-23-1	0.01
(152)	1,2-Benzenedicarboxylic acid, dihexyl ester, branched and linear	68515-50-4	0.01
(153)	Cadmium chloride Δ	10108-64-2	0.005
(154)	Sodium perborate; perboric acid, sodium salt Δ	-	0.01
(155)	Sodium peroxometaborate Δ	7632-04-4	0.01
(156)	Cadmium fluoride Δ	7790-79-6	0.01
(157)	Cadmium sulphate Δ	10124-36-4; 31119-53-6	0.01
(158)	2-benzotriazol-2-yl-4,6-di-tert-butylphenol (UV-320)	3846-71-7	0.01
(159)	2-(2H-benzotriazol-2-yl)-4,6-ditertpentylphenol (UV-328)	25973-55-1	0.01
(160)	2-ethylhexyl 10-ethyl-4,4-dioctyl-7-oxo-8-oxa-3,5-dithia-4-stannatetradecanoate (DOTE) Δ	15571-58-1	0.01
(161)	reaction mass of 2-ethylhexyl 10-ethyl-4,4-dioctyl-7-oxo-8-oxa-3,5-dithia-4-stannatetradecanoate and 2-ethylhexyl 10-ethyl-4-[[2-[(2-ethylhexyl)oxy]-2-oxoethyl]thio]-4-octyl-7-oxo-8-oxa-3,5-dithia-4-stannatetradecanoate (reaction mass of DOTE and MOTE) Δ	15571-58-1; 27107-89-7	0.01
(162)	1,2-benzenedicarboxylic acid, di-C6-10-alkyl esters; 1,2-benzenedicarboxylic acid, mixed decyl and hexyl and octyl diesters with \geq 0.3% of dihexyl phthalate	68515-51-5; 68648-93-1	0.01
(163)	5-sec-butyl-2-(2,4-dimethylcyclohex-3-en-1-yl)-5-methyl-1,3-dioxane [1], 5-sec-butyl-2-(4,6-dimethylcyclohex-3-en-1-yl)-5-methyl-1,3-dioxane [2] [covering any of the individual stereoisomers of [1] and [2] or any combination thereof]	117933-89-8	0.01
(164)	1,3-propanesultone	1120-71-4	0.01
(165)	2,4-di-tert-butyl-6-(5-chlorobenzotriazol-2-yl)phenol(UV-327)	3864-99-1	0.01

No.	Substance	CAS No.	Report Limit [%]
(166)	2-(2H-benzotriazol-2-yl)-4-(tert-butyl)-6-(sec-butyl)phenol(UV-350)	36437-37-3	0.01
(167)	Nitrobenzene	98-95-3	0.01
(168)	Perfluorononan-1-oic-acid and its sodium and ammonium salts	375-95-1 21049-39-8 4149-60-4	0.01
(169)	Benzo[def]chrysene	50-32-8	0.01
(170)	4,4'-isopropylidenediphenol (bisphenol A)	80-5-7	0.01
(171)	Nonadecafluorodecanoic acid (PFDA) and its sodium and ammonium salts	3108-42-7 335-76-2 3830-45-3	0.01
(172)	4-heptylphenol, branched and linear (4-HPbl)	---	0.01
(173)	4-tert-pentylphenol (PTAP)	80-46-6	0.01
(174)	Perfluorohexane-1-sulphonic acid and its salts (PFHxS)	--	0.005
(175)	Chrysene	218-01-9	0.005
(176)	Benz[a]anthracene	56-55-3	0.005
(177)	Cadmium nitrate Δ	10325-94-7	0.005
(178)	Cadmium carbonate Δ	513-78-0	0.005
(179)	Cadmium hydroxide Δ	21041-95-2	0.005
(180)	Dechlorane plus (including any of its individual anti- and syn-isomers or any combination thereof)	13560-89-9; 135821-74-8; 135821-03-3	0.005
(181)	Reaction products of 1,3,4-thiadiazolidine-2,5-dithione, formaldehyde and 4-heptylphenol, branched and linear (RP-HP) [with $\geq 0.1\%$ w/w 4-heptylphenol, branched and linear]	--	0.005
(182)	Octamethylcyclotetrasiloxane (D4)	556-67-2	0.005
(183)	Decamethylcyclopentasiloxane (D5)	541-02-6	0.005
(184)	Dodecamethylcyclohexasiloxane (D6)	540-97-6	0.005
(185)	Lead	7439-92-1	0.005
(186)	Disodium octaborate Δ	12008-41-2	0.005
(187)	Benzo[ghi]perylene	191-24-2	0.005
(188)	Terphenyl hydrogenated	61788-32-7	0.005
(189)	Ethylenediamine (EDA)	107-15-3	0.005
(190)	Benzene-1,2,4-tricarboxylic acid 1,2 anhydride (trimelliticanhydride) (TMA)	552-30-7	0.005
(191)	Dicyclohexyl phthalate (DCHP)	84-61-7	0.005
(192)	1,7,7-trimethyl-3-(phenylmethylene)bicyclo[2.2.1]heptan-2-one	15087-24-8	0.005
(193)	2,2-bis(4'-hydroxyphenyl)-4-methylpentane	6807-17-6	0.005
(194)	Benzo[k]fluoranthene	207-08-9	0.005
(195)	Fluoranthene	206-44-0; 93951-69-0	0.005
(196)	Phenanthrene	85-01-8	0.005
(197)	Pyrene	129-00-0;	0.005

No.	Substance	CAS No.	Report Limit [%]
		1718-52-1	
(198)	2-methoxyethyl acetate	110-49-6	0.005
(199)	Tris(4-nonylphenyl, branched and linear) phosphite (TNPP) with \geq 0.1% w/w of 4-nonylphenol, branched and linear (4-NP)	--	0.005
(200)	2,3,3,3-tetrafluoro-2-(heptafluoropropoxy)propionic acid, its salts and its acyl halides (covering any of their individual isomers and combinations thereof)	--	0.005
(201)	4-tert-butylphenol	98-54-4	0.005
(202)	2-benzyl-2-dimethylamino-4'-morpholinobutyrophenone	119313-12-1	0.005
(203)	2-methyl-1-(4-methylthiophenyl)-2-morpholinopropan-1-one	71868-10-5	0.005
(204)	Diisohexyl phthalate	71850-09-4	0.005
(205)	Perfluorobutane sulfonic acid (PFBS) and its salts	--	0.005
(206)	Dibutylbis(pentane-2,4-dionato-O,O')tin Δ	22673-19-4	0.005
(207)	butyl 4-hydroxybenzoate	94-26-8	0.005
(208)	2-methylimidazole	693-98-1	0.005
(209)	1-vinylimidazole	1072-63-5	0.005
(210)	Bis(2-(2-methoxyethoxy)ethyl) ether	143-24-8	0.005
(211)	Diocetyl tin dilaurate, stannane, dioctyl-, bis(coco acyloxy) derivs., and any other stannane, dioctyl-, bis(fatty acyloxy) derivs. wherein C12 is the predominant carbon number of the fatty acyloxy moiety Δ	--	0.01
(212)	1,4-dioxane	123-91-1	0.01
(213)	2,2-bis(bromomethyl)propane 1,3-diol (BMP); 2,2-dimethylpropan-1-ol, tribromo derivative/3-bromo-2,2-bis(bromomethyl)-1-propanol (TBNPA); 2,3-dibromo-1-propanol (2,3-DBPA)	3296-90-0 36483-57-5 1522-92-5 96-13-9	0.01
(214)	2-(4-tert-butylbenzyl)propionaldehyde and its individual stereoisomers	--	0.01
(215)	4,4'-(1-methylpropylidene)bisphenol	77-40-7	0.01
(216)	Glutaral	111-30-8	0.01
(217)	Medium-chain chlorinated paraffins (MCCP) (UVCB substances consisting of more than or equal to 80% linear chloroalkanes with carbon chain lengths within the range from C14 to C17)	--	0.01
(218)	Orthoboric acid, sodium salt	13840-56-7	0.01
(219)	Phenol, alkylation products (mainly in para position) with C12-rich branched alkyl chains from oligomerisation, covering any individual isomers and/ or combinations thereof (PDDP)	--	0.01
(220)	(\pm)-1,7,7-trimethyl-3-[(4-methylphenyl)methylene]bicyclo[2.2.1]heptan-2-one covering any of the individual isomers and/or combinations thereof (4-MBC)	--	0.01
(221)	6,6'-di-tert-butyl-2,2'-methylenedi-p-cresol (DBMC)	119-47-1	0.01
(222)	S-(tricyclo[5.2.1.0'2,6]deca-3-en-8(or 9)-yl) O-(isopropyl or isobutyl	255881-94-8	0.01

No.	Substance	CAS No.	Report Limit [%]
	or 2-ethylhexyl) O-(isopropyl or isobutyl or 2-ethylhexyl) phosphorodithioate		
(223)	tris(2-methoxyethoxy)vinylsilane	1067-53-4	0.01
(224)	N-(hydroxymethyl)acrylamide	924-42-5	0.01

Δ = Determination was based on elemental analysis. The content was calculated based on assumption of worst-case.

Notes:

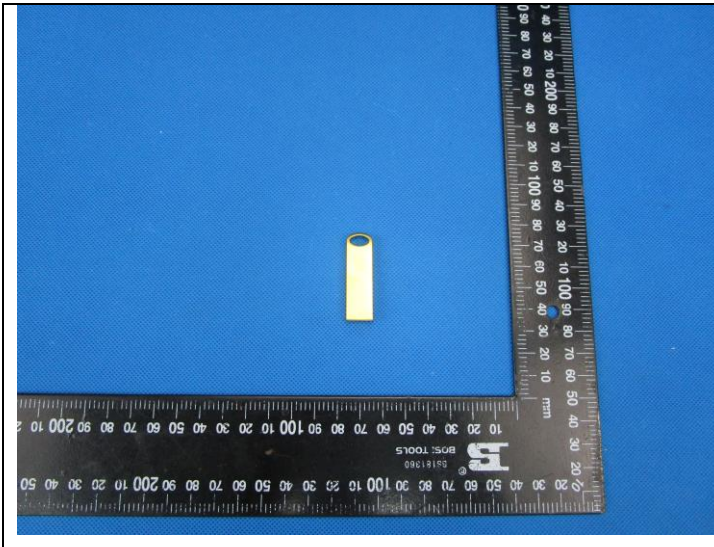
REACH requirement:

As per article 33(1) of regulation (EC) No. 1907/2006 (REACH), recipients of product must be provided with information of safe use if any of the tested substances (SVHC) exceeded 0.1% (w/w). A product meets the requirement of article 33(1) by default when no SVHC exceeds 0.1% (w/w).

Annex 1: Reference Information:

Remark: The information of Annex was submitted by the client. DEKRA Testing and Certification (Shanghai) Ltd., Guangzhou branch takes no responsibility for any mistake caused by inaccuracy and/or invalid information.

The product photos of reference numbers were submitted by applicant.



---End of Report---